

# WOLVERINE

## LYT-977-S & LYT-977-SW

### CHECK FIXTURE CLAMP

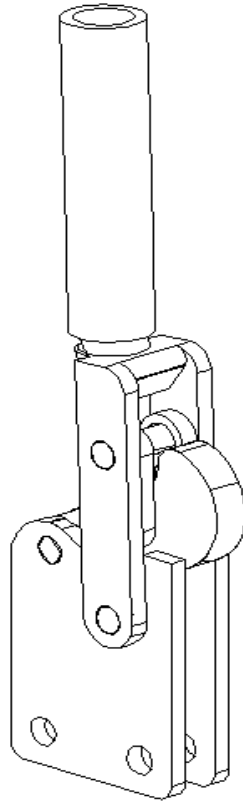
Wolverine Tool has added  
an **EXCITING NEW** clamp.

The LYT-977-S & -SW brings  
a strong but compact clamp  
to the fixture builder.

The optional yellow vinyl  
coated safety handle  
meets fixture standards  
of the automotive industry.

Check out our arm and  
spindle options

**900 Pound Max  
Holding Pressure**



#### FEATURING:

**Guided arm for years  
of accurate clamping.**

**Hardened pins/bushings  
for long clamping life.**

**Handle and arm  
welded into any position.**

**Mounting holes for  
quick design placement.**

**CAD files available:  
Call, E-mail, or download  
from the WEB.**

Email: [wolverine@wolverinetool.com](mailto:wolverine@wolverinetool.com)

WEB: [www.wolverinetool.com](http://www.wolverinetool.com)

#### **WOLVERINE TOOL COMPANY**

22950 Industrial Drive West, St. Clair Shores, MI 48080-1131

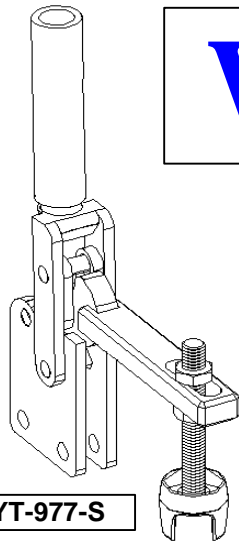
Phone: 586-498-3840 FAX: 586-498-3845

# WOLVERINE

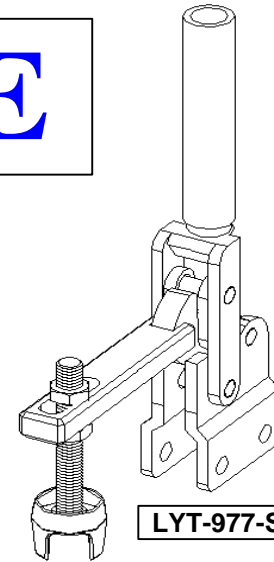
## FIXTURE CLAMPS

COMPACT & VERSATILE

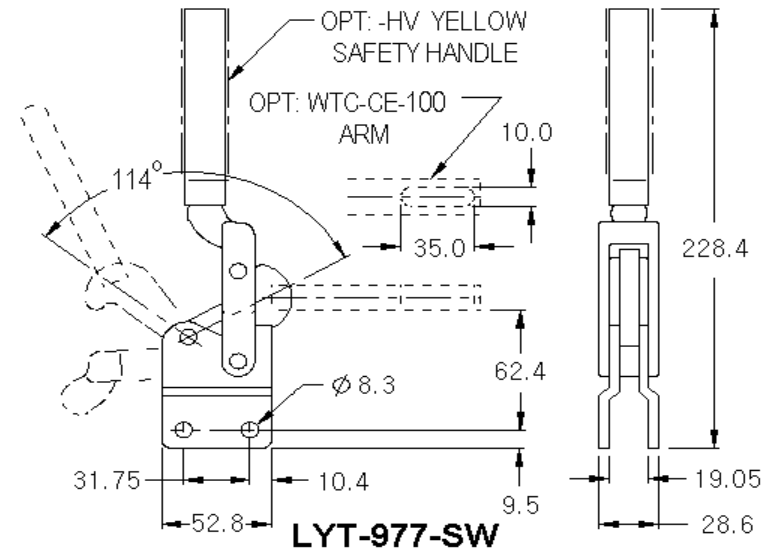
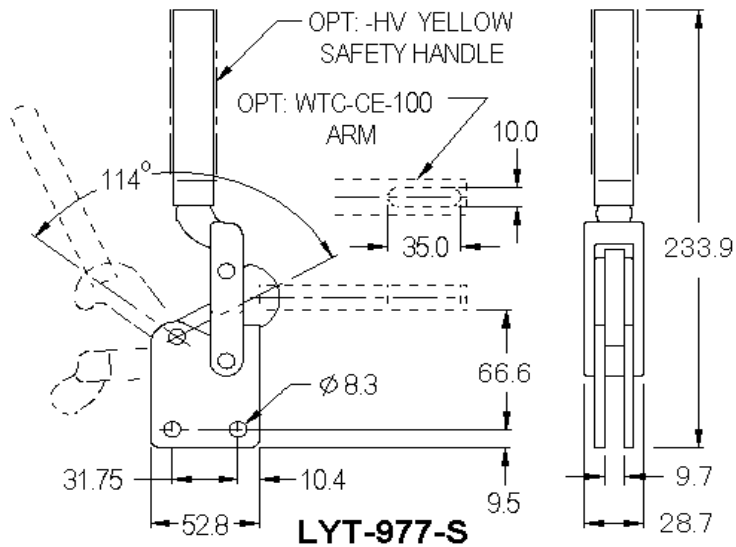
A VARIETY OF SPINDLES  
ARE AVAILABLE



LYT-977-S



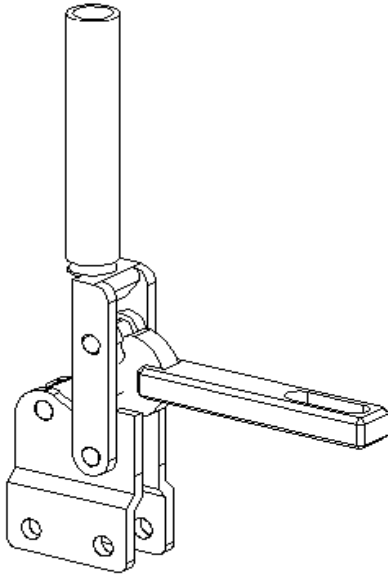
LYT-977-SW



# WOLVERINE

## LYT-977-S & LYT-977-SW

### CHECK FIXTURE CLAMP OPTIONS



#### YELLOW SAFETY HANDLE VINYL COATED

- \* HANDLE LENGTH 101.6 mm
- \* ORDER WELDED AS SHOWN: -HV SUFFIX
- \* ORDER LOOSE TO ORIENT AT ASSEMBLY: -LHV

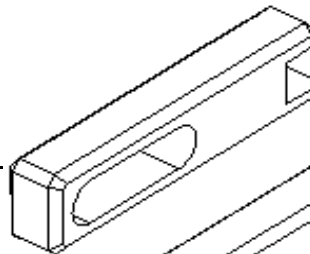
#### ARM EXTENSIONS

- \* 1020 CAST STEEL - 50-55 Rb HARDNESS
- \* WELD AT ASSEMBLY TO ORIENT AS NEEDED
- \* THREE LENGTHS TO CHOOSE FROM  
TO FIT ANY APPLICATION
- \* 10 X 35 SLOT IN EACH ARM FOR SPINDLES

MODEL LYT-977-SW-HV WITH WTC-CE-100 SHOWN

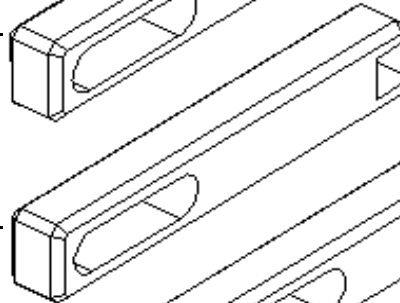
#### WTC-CE-75

12.7 X 19.05 X 75 mm LONG



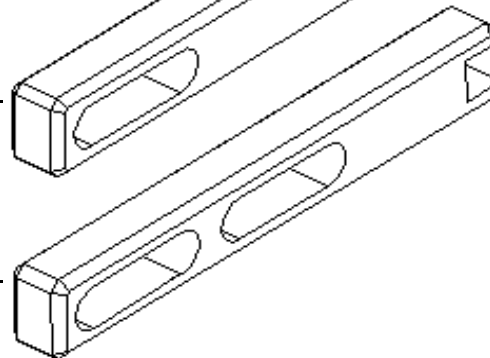
#### WTC-CE-100

12.7 X 19.05 X 100 mm LONG



#### WTC-CE-125

12.7 X 19.05 X 125 mm LONG  
2 SLOTS FOR DOUBLE SPINDLE



#### WOLVERINE TOOL COMPANY

22950 Industrial Drive West, St. Clair Shores, MI 48080-1131

Phone: 586-498-3840 FAX: 586-498-3845

WEB: [www.wolverinetool.com](http://www.wolverinetool.com)

E-mail: [wolverine@wolverinetool.com](mailto:wolverine@wolverinetool.com)